

Product Parts Breakdown

▲ Specify Finish

145.PBV.DIV ▲
Diverter Handle
w/ hex

TRM.PBV.2102 ▲
Trim Plate

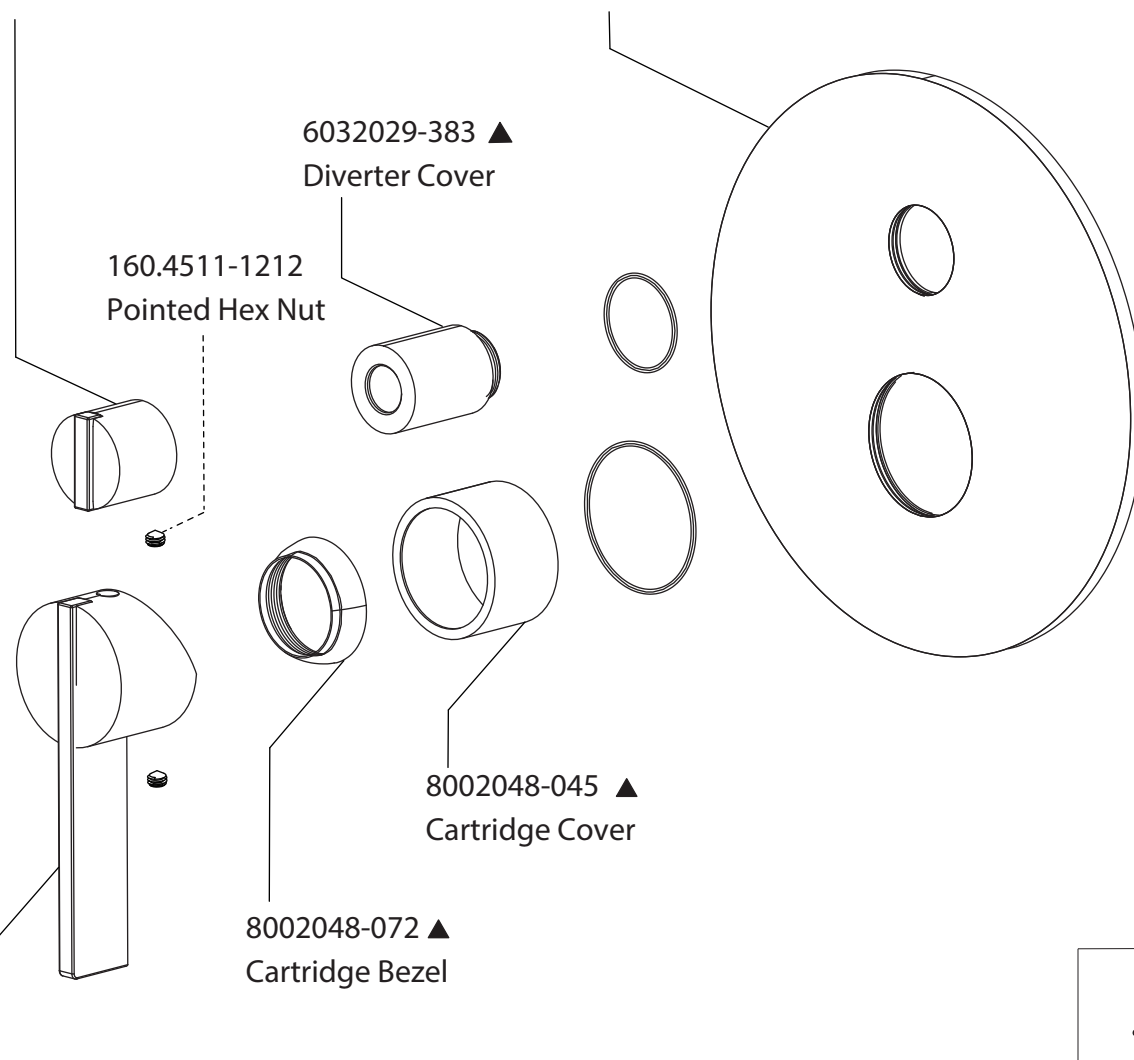
6032029-383 ▲
Diverter Cover

160.4511-1212
Pointed Hex Nut

8002048-045 ▲
Cartridge Cover

8002048-072 ▲
Cartridge Bezel

145.PBV.TMP ▲
Temperature handle
w / Hex



isenberg
innovation+design

145.2102T

Ver 2.53